



Jaw Crusher Range



1100 | 1200

MXJ-1100



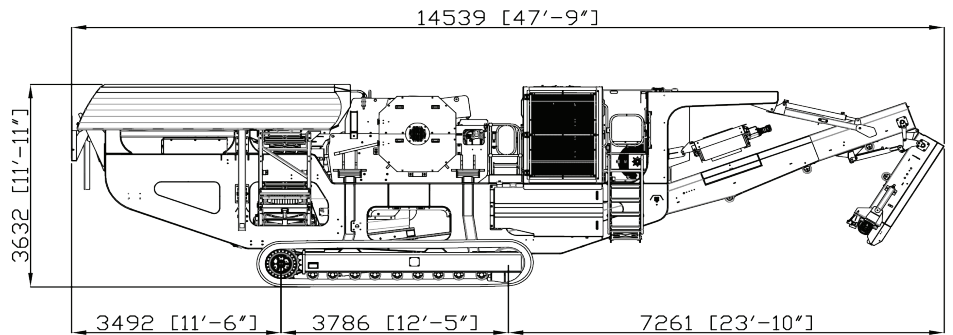
Weight	Est 48,400 Kgs (106,703 Lbs)
Tracks	500 mm
Power Unit	CAT C9 Tier 3A 350 HP
Capacity	Up to 300 TPH
Main Conveyor	1000 mm (40")
Grizzly Feeder	1100 mm (43")
Side Conveyor	600 mm (24")
Max Feed Size	600 mm (24")
Inlet Opening	1100 mm x 700 mm (44" x 28")
C.S.S.	45 - 175 mm (1.75" - 7")

* Option CAT C9.3 Tier 4i/4F - 350HP



Transport :

Length	14539 mm (47' - 9")
Height	3632 mm (11' - 11")
Width	3059 mm (10' - 1")



Working :

Length	16020 mm (52' - 7")
Height	4205 mm (13' - 10")
Width	5159 mm (16' - 11")

