



Cone Crusher Range



1000 | 1200

MXC-1000



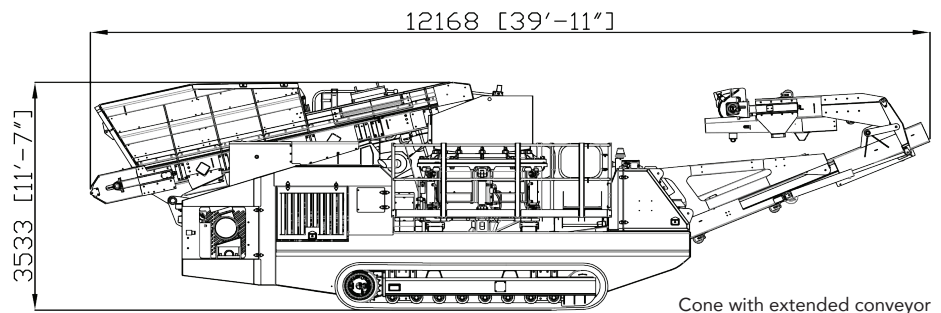
Weight	Est 32,250 Kgs (71,100 Lbs)
Tracks	400 mm
Power Unit	CAT C9 Tier 3 350HP
Capacity	Up to 140 TPH
Feed Conveyor	1000 mm (40")
Feed Height	3040 mm (9'-11")
Product Conveyor	1000 mm (40")
Max Feed Size	150 mm (6" medium coarse bowl)

* Option CAT C9.3 Tier 4i/4F -350HP



Transport :

Length	12168 mm (39'- 11")
Height	3533 mm (11' -7")
Width	2944 mm (9'- 8")



Cone with extended conveyor

Working :

Length	14304 mm (47'- 0")
Height	4068 mm (13'- 4")
Width	3209 mm (10'- 6")

